



WYTWÓRNA SPRZĘTU  
ELEKTROENERGETYCZNEGO  
„AKTYWIZACJA” Spółdzielnia Pracy  
31-946 Kraków, os. Teatralne 24

Secretariat - Head office (012) 644-08-92, Fax (012) 644-03-55,  
Business Inf.(012) 644-52-33, Technical Inf.(012) 644-54-84

## **OPL PORTABLE FENCE**

OPL portable, light fence is used for protecting workplace at electrical power installations. The fence contains posts, bases and chain links. The posts are made of glass-EP bars, and are terminated with the metal sleeves at their bottom, used for connecting to the base. The cover plates on the posts allow fastening chain links or separating band on them.

The User may select two types of bases – laid and driven. Both bases are made from a galvanised, steel bar. The driven base is equipped with welded holder, used for driving the base in the ground and taking it out from the ground. In addition to that, a driving cap is added to the driven type bases, which, through being hammered with a rubber hammer serves deepening the base into the frozen or hard soil.

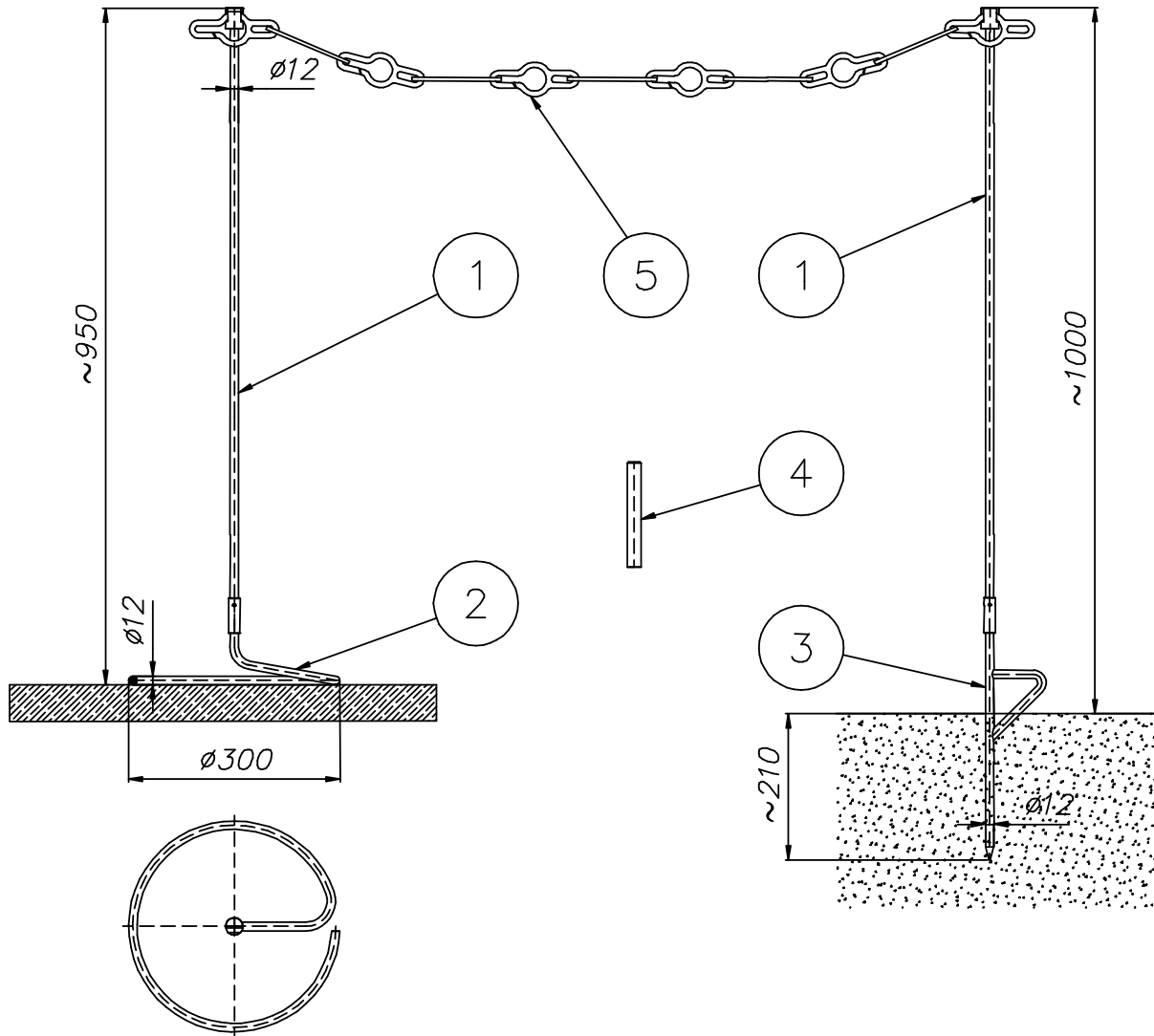
Six pins and six laid or driven bases make up the kit, which is packed in a bag made of coated, waterproof fabric.

1,10 m of a chain may be obtained from 10 pcs of links. The number of posts and bases depends on the planned length of the fence.

The links may be ordered depending on the current needs.

January 2001.

# OPL PORTABLE FENCE



- 1 - Fence post
- 2 - Laid base
- 3 - Driven base
- 4 - Driving cap
- 5 - Chain link